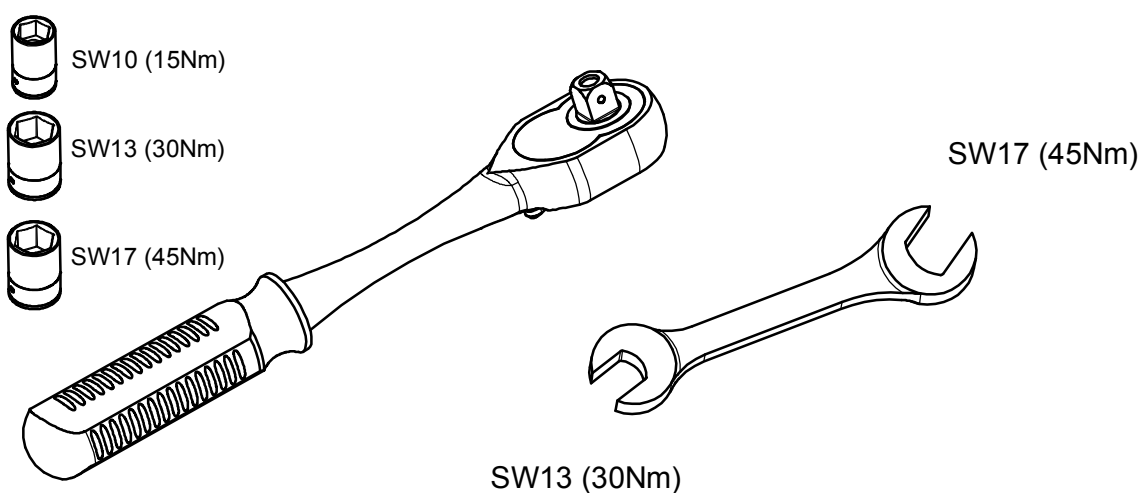
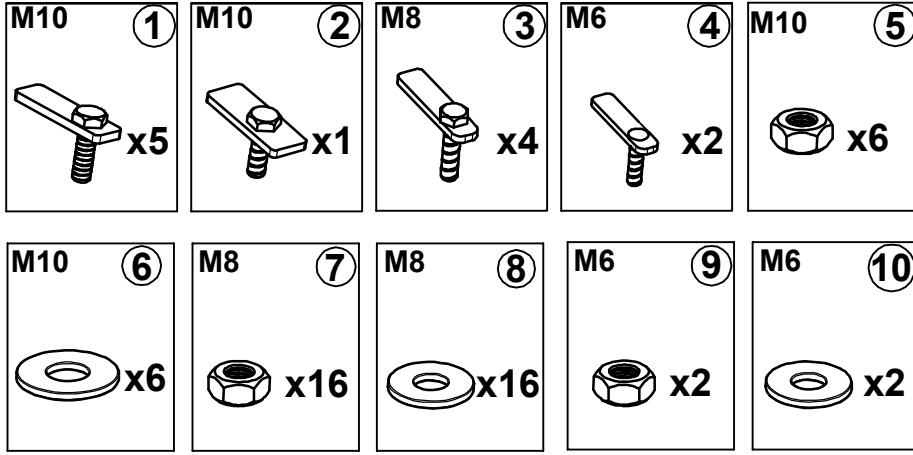


VOLKSWAGEN TRANSPORTER 2003> CARAVELLE 2003>

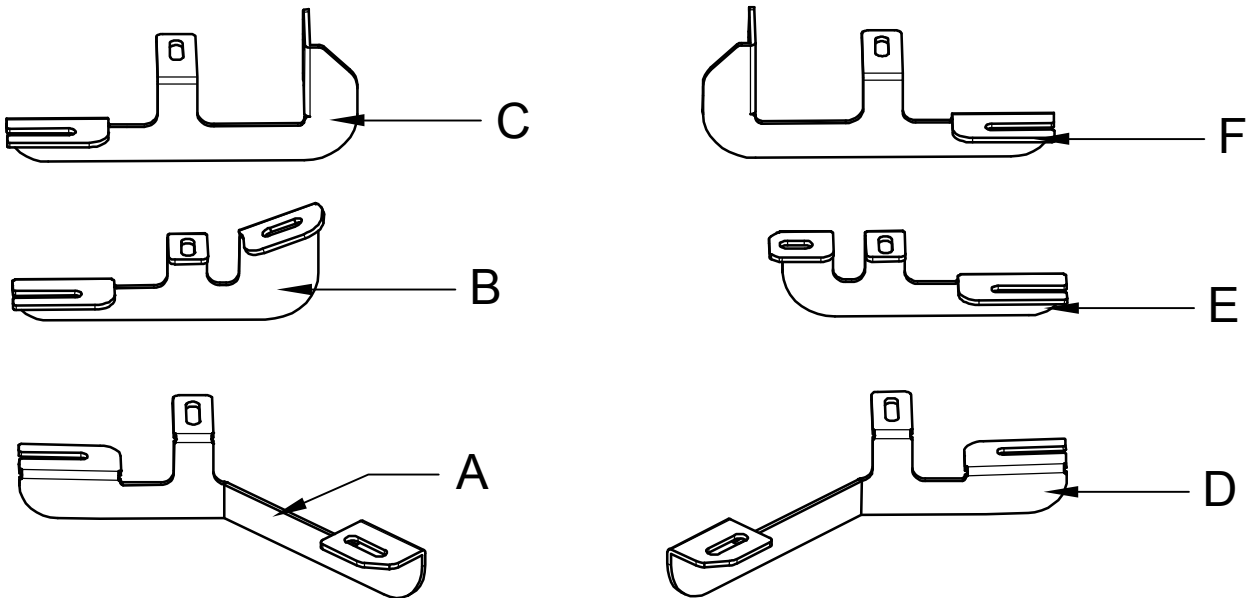
KOD / CODE : 7522DLY102



MONTAJ SETİ / INSTALLATION SET



1. M10 LAMALI CİVATA / M10 MOUNTING PLATE
2. M10 LAMALI CİVATA / M10 MOUNTING PLATE
3. M8 LAMALI CİVATA / M8 MOUNTING PLATE
4. M6 LAMALI CİVATA / M6 MOUNTING PLATE
5. M10 SOMUN / M10 NUT
6. M10 PUL / M10 WASHER
7. M8 SOMUN / M8 NUT
8. M8 PUL / M8 WASHER
9. M6 SOMUN / M6 NUT
10. M6 PUL / M6 WASHER



BRAKETLER / BRACKETS

- A. 7522DLY R F / SAĞ ÖN BRAKET / RIGHT FRONT BRACKET
- B. 7522DLY R M / SAĞ ORTA BRAKET / RIGHT MIDDLE BRACKET
- C. 7522DLY R R / SAĞ ARKA BRAKET / RIGHT REAR BRACKET
- D. 7522DLY L F / SOL ÖN BRAKET / LEFT FRONT BRACKET
- E. 7522DLY L M / SOL ORTA BRAKET / LEFT MIDDLE BRACKET
- F. 7522DLY L R / SOL ARKA BRAKET / LEFT REAR BRACKET



Fig. 1



RF

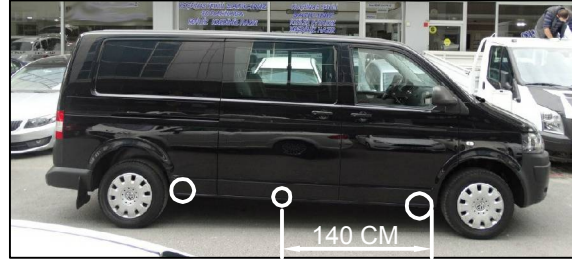


ARAÇ ÜZERİNDEKİ PLASTİK KAPAĞI SÖKÜNÜZ

PLEASE REMOVE THE STOPPER THAT ALREADY ATTACHED ON THE VEHICLE

ALT MUHAFAZA PLASTİĞİ KESİM NOKTALARI
CUTTING POINTS OF LOWER HOUSING PLASTIC

Fig. 5



RM

MONTAJDAN ÖNCE KESİLECEK YERLER
PLACES TO BE CUT BEFORE INSTALLATION



Fig. 2



RF

1

1 NUMARALI PARÇAYI YERİNE TAKINIZ

PLEASE ATTACH THE PART (PART NO 1) TO THE PLACE SHOWN ABOVE

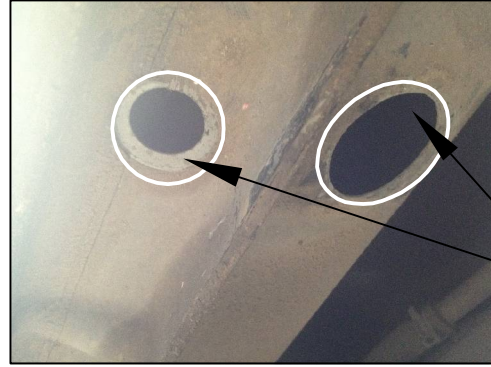


Fig. 6



RM



ARAÇ ÜZERİNDEKİ PLASTİK KAPAĞI SÖKÜNÜZ

PLEASE REMOVE THE STOPPER THAT ALREADY ATTACHED ON THE VEHICLE



Fig. 3



RF

4

4 NUMARALI PARÇAYI YERİNE TAKINIZ

PLEASE ATTACH THE PART (PART NO 4) TO THE PLACE SHOWN ABOVE

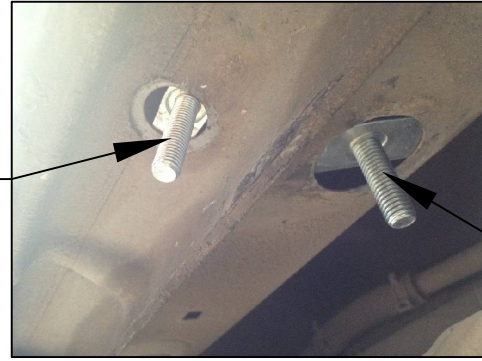


Fig. 7



RM

1

1 ve 3 NUMARALI PARÇAYI YERİNE TAKINIZ

PLEASE ATTACH THE PART (PART NO 1-3) TO THE PLACE SHOWN ABOVE



Fig. 4



RF

BRAKETİ CİVATALAR İLE MONTAJLAYINIZ

INSTALL THE BRACKET WITH BOLTS



Fig. 8



RM

BRAKETİ CİVATALAR İLE MONTAJLAYINIZ

INSTALL THE BRACKET WITH BOLTS

Fig. 9



RR



ARAÇ ÜZERİNDEKİ PLASTİK KAPAĞI SÖKÜNÜZ

PLEASE REMOVE THE STOPPER THAT ALREADY ATTACHED ON THE VEHICLE

Fig. 11



RR

BRAKETİ CİVATALAR İLE MONTAJLAYINIZ

INSTALL THE BRACKET WITH BOLTS

Fig. 10



RR

3

1

1 ve 3 NUMARALI PARÇAYI YERİNE TAKINIZ

PLEASE ATTACH THE PART (PART NO 1-3) TO THE PLACE SHOWN ABOVE

Fig. 12



ÜRÜNÜ MONTAJLAYINIZ

PLEASE INSTALL THE PRODUCT

MONTAJ ŞEMASI / INSTALLATION SCHEME

